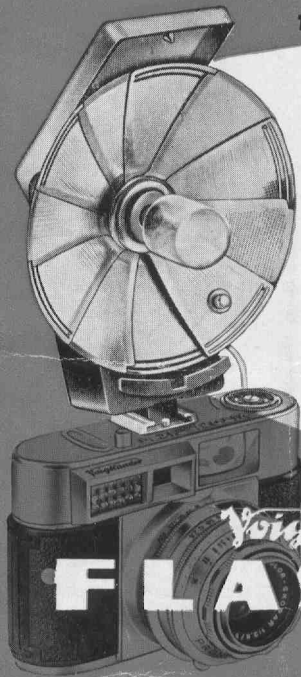
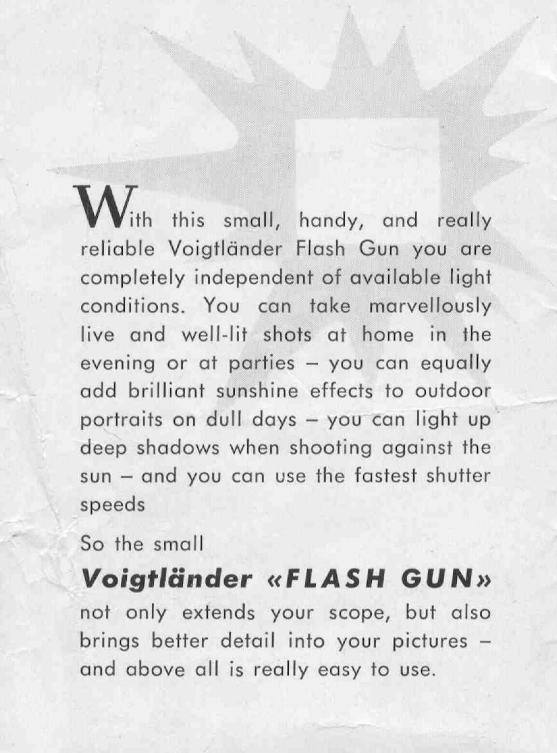


Always ready with
the



Voigtlander
FLASH





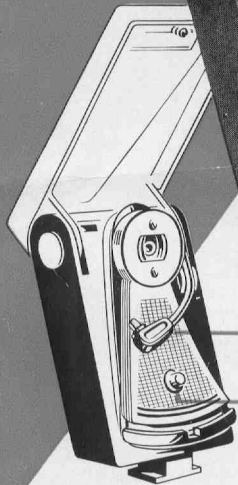
With this small, handy, and really reliable Voigtländer Flash Gun you are completely independent of available light conditions. You can take marvellously live and well-lit shots at home in the evening or at parties – you can equally add brilliant sunshine effects to outdoor portraits on dull days – you can light up deep shadows when shooting against the sun – and you can use the fastest shutter speeds

So the small

Voigtländer «FLASH GUN»

not only extends your scope, but also brings better detail into your pictures – and above all is really easy to use.

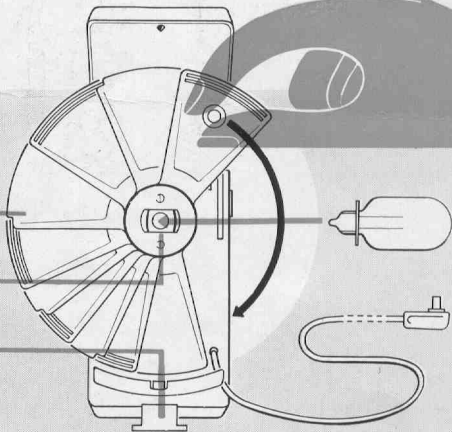
Voigtländer
FLASH



- 1
- 2
- 3
- 4
- 5
- 6

Opening the reflector: Swing up the front cover (1), unroll the cable (2), and rotate the reflector blades round by the handle (3) to open up fan-wise (4). To close the reflector after shooting proceed in the reverse order, then wind the cable round the holder.

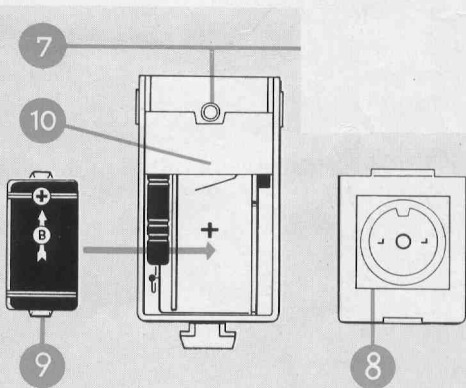
Mounting on the camera: Push the foot (6) into the accessory shoe of the camera and plug the flash cable into the flash socket on the camera shutter.



Inserting (and ejecting) the flash bulb: The flash gun is available in two models: for capless bulbs, and for bulbs with S.C.C. (BA 15 s) or miniature pinless (American type M 2 and M 5) metal caps.

Push the fresh bulb into the socket (5) until it engages. After firing eject the spent bulb by pressing the button (7).

Inserting the battery: Swing up the rear cover (8) and lift off. Place the battery (9) under the top contact strip (10) so that the positive terminal is **on top**. Hook in the cover at the top and press at the bottom until it clicks into place.



The Electric Circuit

of the Voigtländer Flash Gun uses the reliable battery-capacitor system which ensures certain synchronization of the camera and the flash bulb.

The current supply is a standard 22.5 volt miniature anode battery, available all over the world, with an average life of about one year. The charging time of the electrolytic capacitor is one to four seconds, according to the age of the battery. Note: correct orientation of the battery is important – inserting it the wrong way round ruins the capacitor!

The Aperture Dial

on the back of the Voigtländer Flash Gun shows you quickly the correct aperture setting for all shots and at any distance.

The outer ring of the aperture dial carries subject distances in feet (red figures) and in metres (black figures). The rotating centre disc carries the aperture numbers. As you turn the centre disc, the window at the top shows white figures on a black background; these are the guide numbers for the most common types of flash bulbs. You will find the guide number for your particular flash on the packing of the bulbs.

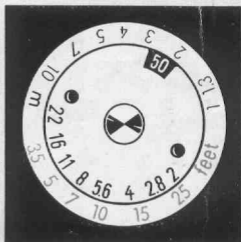
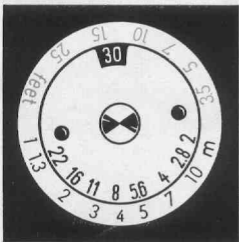
Setting and reading off the aperture dial: Move the aperture figures opposite the distance scale with which you are working (feet or metres). Turn the centre disc until the guide number of the flash bulb appears in the window on top. Then read off the required aperture figure opposite the distance corresponding to your flash-to-subject distance. Set that aperture on the camera.

Right-hand example: guide No. 50

Aperture f/	16	11	8	5.6	4—2.8	2
Distance	3½	5	7	10	15	25 feet

Left-hand example: metric guide No. 30

Aperture f/	22	16	11—8	8—5.6	5.6	4
Distance	1.3	2	3	4	5	7 metres





Order
No.

- For capless Flash bulbs ... 92/043
- For bulbs with S.C.C.
(BA 15s) and miniature
pinless cap 92/053
- Plastic case with zip
fastener 90/139



400 09 — 53 B/1160 ACO

Subject to modification
Printed in Germany